

OVERVIEW ROTABEST® ADAPTORS

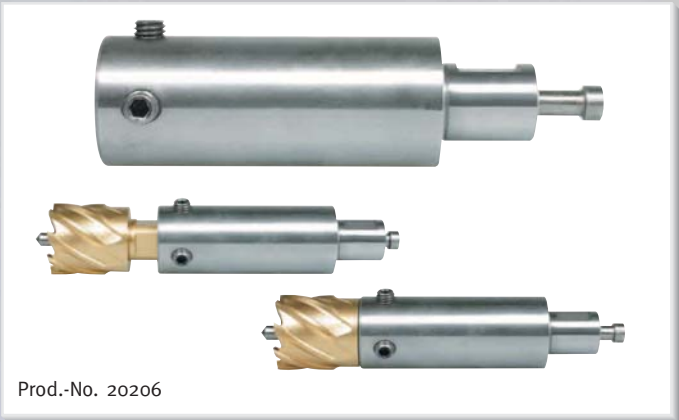
Adaptor cpl. with 2 ejector pins and Allen key 20205
 Adaptor for Nitto Kohki Quick Change System (Onetouch)
 for the use of Rotabest® HSS-Eco, HSS- Co and Tungsten-Carbide-Tipped
 Cutters with Weldon shank.



Extension Adaptor 20206
 with Weldon shank and ejector pin.

For the use of Cutters with 25 – 35 – 50 mm cutting depth for appli-
 cations, where the surface of the material to be drilled, is below the
 platform of the machine. The first ejector pin releases the second
 ejector pin, the coolant runs through the bore to the Cutter.

Total length of Adaptor: 3-1/8"
 Diameter: 1-3/16"
 Ejector Pin: 1/4" x 3" Prod.-No. 1926500



OVERVIEW COUNTERSINK- AND DEBURRING TOOLS HSS

WITH WELDON-SHANK

Ø inch	mm	Prod.-No.
1"	25,0	18533
1-3/16"	30,0	18536
1-9/16"	40,0	18534
2-1/16"	55,0	18537

